

MANUAL PULSE GENERATOR SERIES

1 R 5 - M S 5 M P G

MPG
5



MPG 5 series are very compact, yet safe. It provides electronic protection, antistatic protection $\pm 10\text{KV}$, wide supply voltage DC5V to 24V, voltage protection circuit design, uses and maintains easily, lowers the cost. You can benefit from excellent tactility in designs that include quickly contacts and reliable output signal.

FEATURES

- + Well tactility with attractive, compact design.
- + Light weight with wide supply voltage DC5V to 24V,
- + Electrostatic discharge $\pm 10\text{KV}$, reversed voltage protection, prevent failing from faulty wiring.
- + Dust-proof, oil-proof and waterproof on the front side, which is the best choice for harsh industrial environments.
- + Electric circuitry: Line driver, pull-up, open circuit.
- + Handwheel type: control panel, handy pendant station.
- + Metal material.
- + Graduated collar diameter: 58 mm.

ORDERING INFORMATION

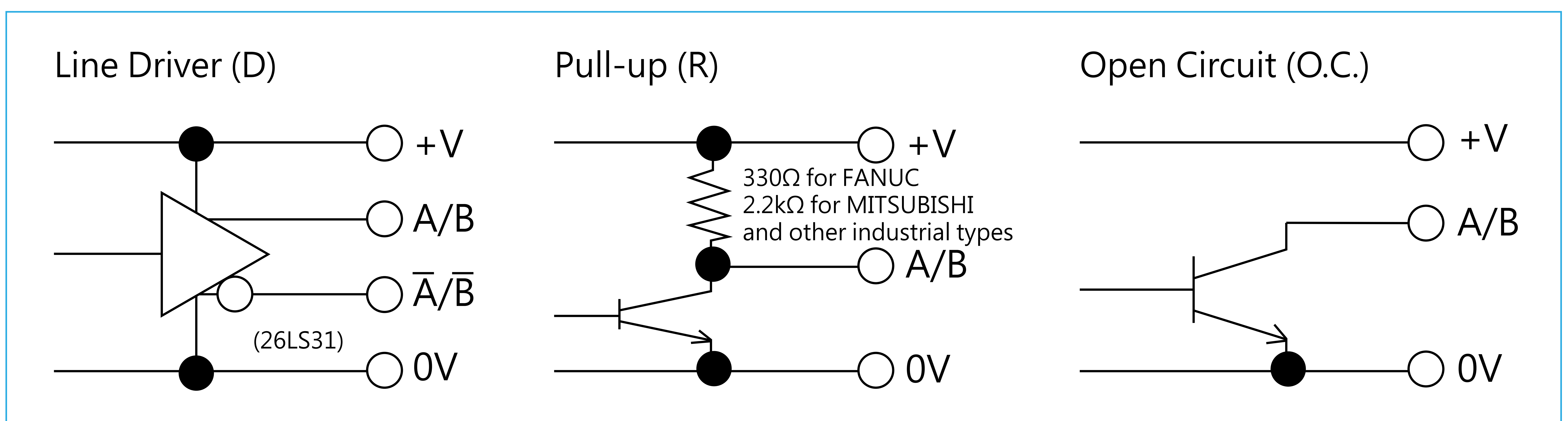
1 R 5 - M S 7

Pulse Per Revolution	Electric Circuit	Output	Handwheel	Used type	Handwheel Diameter
1=100PPR 2= 25 PPR	R=Pull-up D=Line Driver	5=5V output 1=Open Circuit	M=Metal B=Big type	S=Control panel H=Handy MPG	7= 72 mm 5= 58 mm 4=140mm 2=125mm
Normally specification for controller: FANUC=1R5, SIEMENS=1D5, MITSUBISHI=2R5					

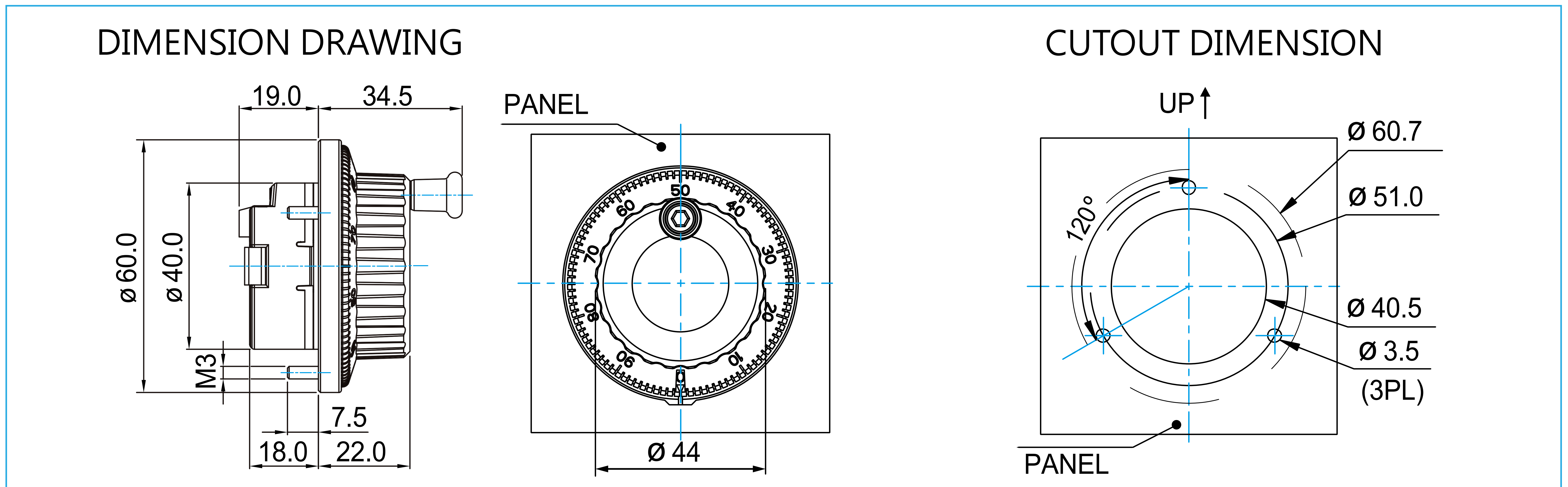
MAJOR PARAMETERS

Input Volt	Volt Output	Max. Frequency Response	Max. Output Current	Tr/Tf Time	Working Temperature	Storing Temperature
DC5V DC24V	High: $\geq V_{cc}-0.5V$ (Line Driver $\geq 3.5V$) Low: $\leq 0.1V$	5KHz	20mA MAX	$\leq 1\mu s$	-10°C 60°C	-20°C 70°C
Max.Power Current	Start Torque	Axis Load	Max. Speed	Rotate	Weight	Protection
80mA MAX	$1.6-6.0 \times 10^{-2} N.m$	Axial: 9.8 N Radial: 16.6N	Inst. 600RPM Cont. 200RPM	Over 3 million times rotation (300 RPM)	$\leq 50g$ (Not include dial)	Resist of ESD $\pm 10KV$ IP65/CE

ELECTRIC CIRCUITRY



DIMENSION DRAWING (mm)



STANDARD SPECIFICATIONS

No.	Model	Application	Specifications
1	1D5	SIEMENS	100 PPR / in 5-24V / out 5 V / Line Driver
2	1R5	FANUC	100 PPR / in 5-24V / out 5 V / Pull-up (330Ω)
3	2R5	MITSUBISHI	25 PPR / in 5-24V / out 5 V / Pull-up (2.2KΩ)
4	141	Industrial type	100 PPR / in 5-24V / out 5-24V / Open Circuit
5	1R1	Industrial type	100 PPR / in 5-24V / out 5-24V / Open Circuit (2.2KΩ)
6	241	Industrial type	25 PPR / in 5-24V / out 5-24V / Open Circuit
7	2D5	Industrial type	25 PPR / in 5 V / out 5 V / Line Driver
8	161	Industrial type	100 PPR / in 5-24V / out 5-24V / Line Driver

*The specification or contacts in this chart are subject to change without notice.

